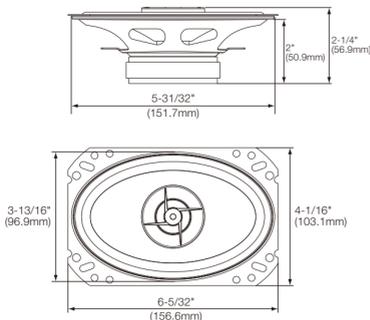
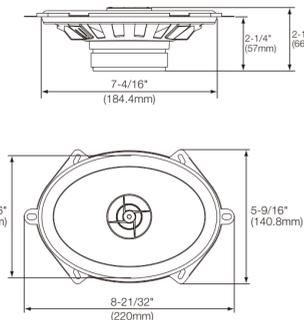


STAGE 640Z



STAGE 860Z



SPECIFICATIONS	STAGE 502	STAGE 602	STAGE 640Z	STAGE 860Z	STAGE 9603	STAGE 600C
Type	5-1/4" (130mm) Coaxial Car Speaker	6-1/2" (165mm) Coaxial Car Speaker	4" x 6" (102mm x 152mm) Coaxial Car Speaker	6" x 8" (152mm x 203mm) Coaxial Car Speaker	6" x 9" (152mm x 230mm) Three-Way Car Speaker	6-1/2" Car Audio System de componentes
Continuous power handling	35W	45W	35W	60W	70W	50W
Peak power handling	105W	135W	105W	180W	210W	150W
Frequency response	70Hz – 20kHz	55Hz – 20kHz	75Hz – 20kHz	20Hz – 20kHz	45Hz – 20kHz	50Hz – 20kHz
Nominal impedance	4 ohms	4 ohms	4 ohms	4 ohms	4 ohms	4 ohms
Sensitivity (2.83V/m)	91dB	91dB	90dB	91dB	92dB	90dB
External diameter	5-1/8" (130mm)	6-9/16" (166.4mm)	6-5/32" (156.6mm) x 4-1/16" (103.1mm)	8-21/32" (220mm) x 5-9/16" (140.8mm)	9-1/4" (234.6mm) x 6-7/16" (163.6mm)	6-9/16" (166.4mm)
Mounting cutout diameter	4-3/4" (120mm)	5-12/16" (145.7mm)	5-31/32" (151.7mm)	7-4/16" (184.4mm)	8-11/16" (220.9mm)	5-12/16" (145.7mm)
Total depth	2-1/2" (63.1mm)	2-10/16" (66.4mm)	2-1/4" (56.9mm)	2-10/16" (66.7mm)	3-7/16" (86.9mm)	2-10/16" (66.4mm)
Mounting depth	2-3/16" (56mm)	2-5/16" (58.7mm)	2" (50.9mm)	2-1/4" (57mm)	2-29/32" (74mm)	2-5/16" (58.7mm)

ESPECIFICAÇÕES

Typo	STAGE 502	STAGE 602	STAGE 640Z	STAGE 860Z	STAGE 9603	STAGE 600C
Tip	5-1/4" (130mm) Alto-falante automotivo coaxial	6-1/2" (165mm) Alto-falante automotivo coaxial	4" x 6" (102mm x 152mm) Alto-falante automotivo coaxial	6" x 8" (152mm x 203mm) Alto-falante automotivo coaxial	6" x 9" (152mm x 230mm) Alto-falante automotivo coaxial	6-1/2" Car Audio Sistema de componentes
Potência contínua máxima	35W	45W	35W	60W	70W	50W
Potência máxima de pico	105W	135W	105W	180W	210W	150W
Resposta de frequência	70Hz – 20kHz	55Hz – 20kHz	75Hz – 20kHz	20Hz – 20kHz	45Hz – 20kHz	50Hz – 20kHz
Impedância nominal	4 ohms	4 ohms	4 ohms	4 ohms	4 ohms	4 ohms
Sensibilidade (2,83 V/m)	91dB	91dB	90dB	91dB	92dB	90dB
Diâmetro externo	5-1/8" (130mm)	6-9/16" (166.4mm)	6-5/32" (156.6mm) x 4-1/16" (103.1mm)	8-21/32" (220mm) x 5-9/16" (140.8mm)	9-1/4" (234.6mm) x 6-7/16" (163.6mm)	6-9/16" (166.4mm)
Diâmetro do corte de montagem	4-3/4" (120mm)	5-12/16" (145.7mm)	5-31/32" (151.7mm)	7-4/16" (184.4mm)	8-11/16" (220.9mm)	5-12/16" (145.7mm)
Profundidade total	2-1/2" (63.1mm)	2-10/16" (66.4mm)	2-1/4" (56.9mm)	2-10/16" (66.7mm)	3-7/16" (86.9mm)	2-10/16" (66.4mm)
Profundidade de montagem	2-3/16" (56mm)	2-5/16" (58.7mm)	2" (50.9mm)	2-1/4" (57mm)	2-29/32" (74mm)	2-5/16" (58.7mm)

TECHNISCHE DATEN

Typ	STAGE 502	STAGE 602	STAGE 640Z	STAGE 860Z	STAGE 9603	STAGE 600C
Typ	5-1/4" (130mm) Koaxialer Fahrzeuglautsprecher	6-1/2" (165mm) Koaxialer Fahrzeuglautsprecher	4" x 6" (102mm x 152mm) Koaxialer Fahrzeuglautsprecher	6" x 8" (152mm x 203mm) Koaxialer Fahrzeuglautsprecher	6" x 9" (152mm x 230mm) Drei-Wege-Fahrzeuglautsprecher	6-1/2" Car Audio Komponentensystem
Kontinuierliche Leistung	35W	45W	35W	60W	70W	50W
Spitzenleistung	105W	135W	105W	180W	210W	150W
Spitzenbereich	70Hz – 20kHz	55Hz – 20kHz	75Hz – 20kHz	20Hz – 20kHz	45Hz – 20kHz	50Hz – 20kHz
Nennimpedanz	4 ohms	4 ohms	4 ohms	4 ohms	4 ohms	4 ohms
Empfindlichkeit (2,83V/m)	91dB	91dB	90dB	91dB	92dB	90dB
Äußerer Durchmesser	5-1/8" (130mm)	6-9/16" (166.4mm)	6-5/32" (156.6mm) x 4-1/16" (103.1mm)	8-21/32" (220mm) x 5-9/16" (140.8mm)	9-1/4" (234.6mm) x 6-7/16" (163.6mm)	6-9/16" (166.4mm)
Montageausschnitt-Durchmesser	4-3/4" (120mm)	5-12/16" (145.7mm)	5-31/32" (151.7mm)	7-4/16" (184.4mm)	8-11/16" (220.9mm)	5-12/16" (145.7mm)
Gesamtiefe	2-1/2" (63.1mm)	2-10/16" (66.4mm)	2-1/4" (56.9mm)	2-10/16" (66.7mm)	3-7/16" (86.9mm)	2-10/16" (66.4mm)
Montagetiefe	2-3/16" (56mm)	2-5/16" (58.7mm)	2" (50.9mm)	2-1/4" (57mm)	2-29/32" (74mm)	2-5/16" (58.7mm)

SPESIFIKASJONER

Type	STAGE 502	STAGE 602	STAGE 640Z	STAGE 860Z	STAGE 9603	STAGE 600C
Typ	5-1/4" (130mm) Koaksial bilhyttaltaler	6-1/2" (165mm) Koaksial bilhyttaltaler	4" x 6" (102mm x 152mm) Koaksial bilhyttaltaler	6" x 8" (152mm x 203mm) Koaksial bilhyttaltaler	6" x 9" (152mm x 230mm) Tre-veis bilhyttaltaler	6-1/2" Car Audio Komponentensystem
Kontinuerlig effekthåndtering	35W	45W	35W	60W	70W	50W
Toppeffekthåndtering	105W	135W	105W	180W	210W	150W
Frekvensrespons	70Hz – 20kHz	55Hz – 20kHz	75Hz – 20kHz	20Hz – 20kHz	45Hz – 20kHz	50Hz – 20kHz
Nominell impedans	4 ohms	4 ohms	4 ohms	4 ohms	4 ohms	4 ohms
Sensitivitet (2,83 V/m)	91dB	91dB	90dB	91dB	92dB	90dB
Ekstern diameter	5-1/8" (130mm)	6-9/16" (166.4mm)	6-5/32" (156.6mm) x 4-1/16" (103.1mm)	8-21/32" (220mm) x 5-9/16" (140.8mm)	9-1/4" (234.6mm) x 6-7/16" (163.6mm)	6-9/16" (166.4mm)
Monteringsdiameter	4-3/4" (120mm)	5-12/16" (145.7mm)	5-31/32" (151.7mm)	7-4/16" (184.4mm)	8-11/16" (220.9mm)	5-12/16" (145.7mm)
Totaldybde	2-1/2" (63.1mm)	2-10/16" (66.4mm)	2-1/4" (56.9mm)	2-10/16" (66.7mm)	3-7/16" (86.9mm)	2-10/16" (66.4mm)
Monteringsdybde	2-3/16" (56mm)	2-5/16" (58.7mm)	2" (50.9mm)	2-1/4" (57mm)	2-29/32" (74mm)	2-5/16" (58.7mm)

TEKNISET TIEDOT

Typpi	STAGE 502	STAGE 602	STAGE 640Z	STAGE 860Z	STAGE 9603	STAGE 600C
Typpi	5-1/4" (130mm) Koaksiaalinen autoakautin	6-1/2" (165mm) Koaksiaalinen autoakautin	4" x 6" (102mm x 152mm) Koaksiaalinen autoakautin	6" x 8" (152mm x 203mm) Koaksiaalinen autoakautin	6" x 9" (152mm x 230mm) Kolme-akautin	6-1/2" Car Audio Komponentijärjestelmä
Tehonkesto jatkuva	35W	45W	35W	60W	70W	50W
Tehonkesto huippu	105W	135W	105W	180W	210W	150W
Taajuusvaste	70Hz – 20kHz	55Hz – 20kHz	75Hz – 20kHz	20Hz – 20kHz	45Hz – 20kHz	50Hz – 20kHz
Nimellimpedanssi	4 ohms	4 ohms	4 ohms	4 ohms	4 ohms	4 ohms
Herkkyyden (2,83 V/m)	91dB	91dB	90dB	91dB	92dB	90dB
Ulkoisen halkaisija	5-1/8" (130mm)	6-9/16" (166.4mm)	6-5/32" (156.6mm) x 4-1/16" (103.1mm)	8-21/32" (220mm) x 5-9/16" (140.8mm)	9-1/4" (234.6mm) x 6-7/16" (163.6mm)	6-9/16" (166.4mm)
Asennusaukon halkaisija	4-3/4" (120mm)	5-12/16" (145.7mm)	5-31/32" (151.7mm)	7-4/16" (184.4mm)	8-11/16" (220.9mm)	5-12/16" (145.7mm)
Kokonaissyvyys	2-1/2" (63.1mm)	2-10/16" (66.4mm)	2-1/4" (56.9mm)	2-10/16" (66.7mm)	3-7/16" (86.9mm)	2-10/16" (66.4mm)
Asennussyvyys	2-3/16" (56mm)	2-5/16" (58.7mm)	2" (50.9mm)	2-1/4" (57mm)	2-29/32" (74mm)	2-5/16" (58.7mm)

SPECIFIKATIONER

Type	STAGE 502	STAGE 602	STAGE 640Z	STAGE 860Z	STAGE 9603	STAGE 600C
Typ	5-1/4" (130mm) Koaksial bilhögtalare	6-1/2" (165mm) Koaksial bilhögtalare	4" x 6" (102mm x 152mm) Koaksial bilhögtalare	6" x 8" (152mm x 203mm) Koaksial bilhögtalare	6" x 9" (152mm x 230mm) Treveis bilhögtalare	6-1/2" Car Audio Komponentensystem
Kontinuerlig effekthåndtering	35W	45W	35W	60W	70W	50W
Spidsbelastning	105W	135W	105W	180W	210W	150W
Frekvensområde	70Hz – 20kHz	55Hz – 20kHz	75Hz – 20kHz	20Hz – 20kHz	45Hz – 20kHz	50Hz – 20kHz
Nominal impedans	4 ohms	4 ohms	4 ohms	4 ohms	4 ohms	4 ohms
Følsomhed (2,83 V/m)	91dB	91dB	90dB	91dB	92dB	90dB
Udvendig diameter	5-1/8" (130mm)	6-9/16" (166.4mm)	6-5/32" (156.6mm) x 4-1/16" (103.1mm)	8-21/32" (220mm) x 5-9/16" (140.8mm)	9-1/4" (234.6mm) x 6-7/16" (163.6mm)	6-9/16" (166.4mm)
Diameter for monteringsudskæring	4-3/4" (120mm)	5-12/16" (145.7mm)	5-31/32" (151.7mm)	7-4/16" (184.4mm)	8-11/16" (220.9mm)	5-12/16" (145.7mm)
Samlet dybde	2-1/2" (63.1mm)	2-10/16" (66.4mm)	2-1/4" (56.9mm)	2-10/16" (66.7mm)	3-7/16" (86.9mm)	2-10/16" (66.4mm)
Monteringsdybde	2-3/16" (56mm)	2-5/16" (58.7mm)	2" (50.9mm)	2-1/4" (57mm)	2-29/32" (74mm)	2-5/16" (58.7mm)

仕様書

型式	STAGE 502	STAGE 602	STAGE 640Z	STAGE 860Z	STAGE 9603	STAGE 600C
型式	5-1/4" (130mm) 同軸カーブスピーカー	6-1/2" (165mm) 同軸カーブスピーカー	4" x 6" (102mm x 152mm) 同軸カーブスピーカー	6" x 8" (152mm x 203mm) 同軸カーブスピーカー	6" x 9" (152mm x 230mm) 3ウェイカーブスピーカー	6-1/2" Car Audio コンポーネントシステム
連続許容入力	35W	45W	35W	60W	70W	50W
ピーク許容入力	105W	135W	105W	180W	210W	150W
周波数特性	70Hz – 20kHz	55Hz – 20kHz	75Hz – 20kHz	20Hz – 20kHz	45Hz – 20kHz	50Hz – 20kHz
公称インピーダンス	4 ohms	4 ohms	4 ohms	4 ohms	4 ohms	4 ohms
感度(2.83V/m)	91dB	91dB	90dB	91dB	92dB	90dB
外部直径	5-1/8" (130mm)	6-9/16" (166.4mm)	6-5/32" (156.6mm) x 4-1/16" (103.1mm)	8-21/32" (220mm) x 5-9/16" (140.8mm)	9-1/4" (234.6mm) x 6-7/16" (163.6mm)	6-9/16" (166.4mm)
取り付けカットアウト直径	4-3/4" (120mm)	5-12/16" (145.7mm)	5-31/32" (151.7mm)	7-4/16" (184.4mm)	8-11/16" (220.9mm)	5-12/16" (145.7mm)
トータルの寸法	2-1/2" (63.1mm)	2-10/16" (66.4mm)	2-1/4" (56.9mm)	2-10/16" (66.7mm)	3-7/16" (86.9mm)	2-10/16" (66.4mm)
埋め込み寸法	2-3/16" (56mm)	2-5/16" (58.7mm)	2" (50.9mm)	2-1/4" (57mm)	2-29/32" (74mm)	2-5/16" (58.7mm)

規格

类型	STAGE 502	STAGE 602	STAGE 640Z	STAGE 860Z	STAGE 9603	STAGE 600C
类型	5-1/4" (130mm) 同轴车载扬声器	6-1/2" (165mm) 同轴车载扬声器	4" x 6" (102mm x 152mm) 同轴车载扬声器	6" x 8" (152mm x 203mm) 同轴车载扬声器	6" x 9" (152mm x 230mm) 三分频车载扬声器	6-1/2" Car Audio 元件系统
连续功率承受能力	35W	45W	35W	60W	70W	50W
峰值功率承受能力	105W	135W	105W	180W	210W	150W
频率响应	70Hz – 20kHz	55Hz – 20kHz	75Hz – 20kHz	20Hz – 20kHz	45Hz – 20kHz	50Hz – 20kHz
标称阻抗	4 ohms	4 ohms	4 ohms	4 ohms	4 ohms	4 ohms
灵敏度 (2.83V/m)	91dB	91dB	90dB	91dB	92dB	90dB
外径	5-1/8" (130mm)	6-9/16" (166.4mm)	6-5/32" (156.6mm) x 4-1/16" (103.1mm)	8-21/32" (220mm) x 5-9/16" (140.8mm)	9-1/4" (234.6mm) x 6-7/16" (163.6mm)	6-9/16" (166.4mm)
安装切口直径	4-3/4" (120mm)	5-12/16" (145.7mm)	5-31/32" (151.7mm)	7-4/16" (184.4mm)	8-11/16" (220.9mm)	5-12/16" (145.7mm)
总深度	2-1/2" (63.1mm)	2-10/16" (66.4mm)	2-1/4" (56.9mm)	2-10/16" (66.7mm)	3-7/16" (86.9mm)	2-10/16" (66.4mm)
安装深度	2-3/16" (56mm)	2-5/16" (58.7mm)	2" (50.9mm)	2-1/4" (57mm)	2-29/32" (74mm)	2-5/16" (58.7mm)

規格

類型	STAGE 502	STAGE 602	STAGE 640Z	STAGE 860Z	STAGE 9603	STAGE 600C
類型	5-1/4" (130mm) 同軸汽車喇叭	6-1/2" (165mm) 同軸汽車喇叭	4" x 6" (102mm x 152mm) 同軸汽車喇叭	6" x 8" (152mm x 203mm) 同軸汽車喇叭	6" x 9" (152mm x 230mm) 三路汽車喇叭	6-1/2" Car Audio 系統組件
連續的功率處理	35W	45W	35W	60W	70W	50W
峰值的功率處理	105W	135W	105W	180W	210W	150W
頻率回應	70Hz – 20kHz	55Hz – 20kHz	75Hz – 20kHz	20Hz – 20kHz	45Hz – 20kHz	50Hz – 20kHz
標稱阻抗	4 ohms	4 ohms	4 ohms	4 ohms	4 ohms	4 ohms
感度度 (2.83V/m)	91dB	91dB	90dB	91dB	92dB	90dB
外徑	5-1/8" (130mm)	6-9/16" (166.4mm)	6-5/32" (156.6mm) x 4-1/16" (103.1mm)	8-21/32" (220mm) x 5-9/16" (140.8mm)	9-1/4" (234.6mm) x 6-7/16" (163.6mm)	6-9/16" (166.4mm)
安裝開孔直徑	4-3/4" (120mm)	5-12/16" (145.7mm)	5-31/32" (151.7mm)	7-4/16" (184.4mm)	8-11/16" (220.9mm)	5-12/16" (145.7mm)
總深度	2-1/2" (63.1mm)	2-10/16" (66.4mm)	2-1/4" (56.9mm)	2-10/16" (66.7mm)	3-7/16" (86.9mm)	2-10/16" (66.4mm)